



# SANME



## MP-PH 系列 履带移动反击式破碎站

*MP-PH Series Mobile Impactor  
Plants*



上海山美环保装备股份有限公司  
SHANGHAI SANME MINING MACHINERY CORP., LTD.  
(中德合资控股)  
(Sino-German JV Holding)

# MP-PH Series Mobile Impactor Plants

## MP-PH系列履带移动反击式破碎站



Shanghai Sanme Mining Machinery Corp., Ltd. is a Sino-German Joint Venture holding company, a company developing in the complete chain in the crushing and screening industry, the well-known manufacturer of complete set of crushing and screening equipment. SANME could provide the complete sets of crushing and screening equipment and total solutions to customers. The products include jaw crusher, cone crusher, impact crusher, gyratory crusher, vertical impact crusher (sand maker), building-like dry sand-making system, fine sand collecting system, floating separating system, light materials separating system, mobile crushing and screening plant, and portable crushing and screening plant, etc. SANME products have been widely applied in green aggregates processing, construction waste recycling, and minerals processing, etc. Our products have been exported to over 100 countries and regions. Our aim is to provide reliable products and services for global customers and create values for our customers.

上海山美环保装备股份有限公司是中德合资控股企业，是破碎筛分完整产业链发展的企业，专业的破碎筛分成套设备制造商，能够给客户提供全系列破碎筛分设备和完整解决方案，产品包括颚式破碎机、圆锥式破碎机、反击式破碎机、旋回式破碎机、立轴冲击式破碎机（制砂机）、制砂楼、给料机、振动筛、细砂回收装置、水力浮选机、轻物质分离器、履带式移动站和轮胎式移动站等。我们的产品在绿色砂石骨料生产、建筑废弃物资源化利用、矿物加工等行业和领域得到广泛应用，并已出口到世界上 100 多个国家和地区。我们的目标是为全球客户提供值得信赖的产品和服务，为客户创造价值。

## Redefines the processing of natural stone: 对岩石加工重新定义:



MP-PH Series Mobile Impactor Plant is designed by SK Group Germany, it is an all-purpose, compact and modular impact crushing plant for aggregates and recycling industries.

山美 MP-PH 系列履带移动反击式破碎站是由德国 SK 集团设计的多用途、紧凑型 and 模块化的反击式破碎站，用于采石场和回收行业。

The reliable processing plant MP-PH carries on the advanced Germany technology concept. It can be optimally used as a primary crushing plant, the optional high-performance magnet allows for an efficient employment in the recycling industry. The plant is eminently suitable for the processing of blasted natural stone and provides an excellent final grain size.

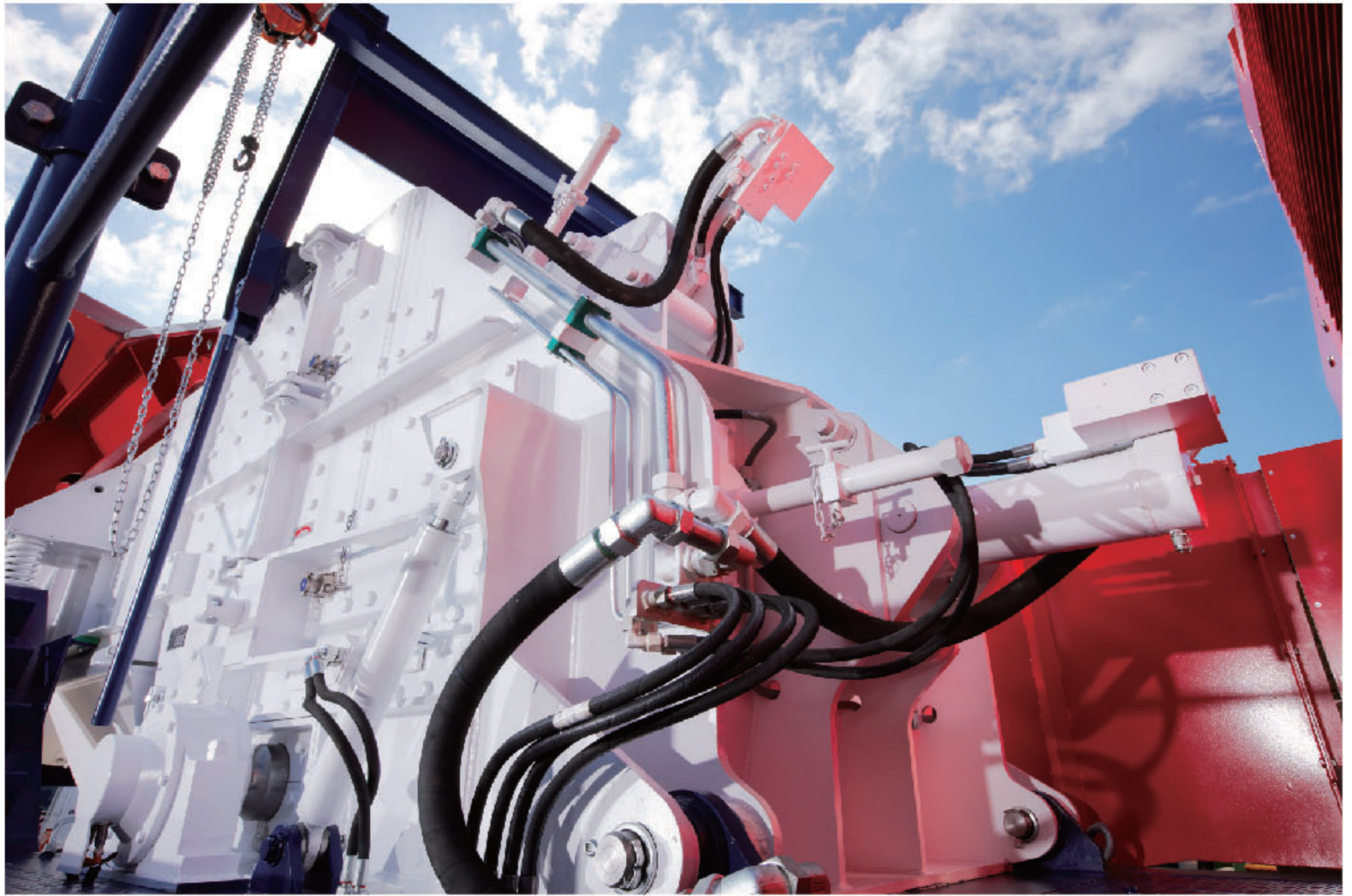
可靠的 MP-PH 系列破碎站体现了德国专业的技术概念，作为初级破碎站使用更好，可选装的高性能除铁器能够有效地应用于回收行业，该破碎站特别适合于加工岩石，能够获得极佳粒形的最终产品。

The MP-PH crushing plant impresses with a robust and functional design in a sturdy constructive form, and simultaneously can be operated economically.

令人印象深刻的是 MP-PH 系列破碎站的耐用结构设计富有经验和具备多功能，同时运行经济。

Both the dynamic control system and the optimized crushing cavity geometry of MP-PH crushing plant ensure maximum throughput continuity and a homogenous final grain size.

MP-PH 系列破碎站的动态控制系统和更好的破碎腔结构确保了最大输出的连续性和同质的最终粒度。



# SANME

MP-PH Series Mobile Impactor Plant has the innovative features as follows:

山美MP-PH系列履带移动反击式破碎站具有如下创新点：

A number of innovative functions make the SANME MP-PH Series Mobile Impactor Plant an interesting processing plant for the aggregates as well as for the recycling industries:

一系列的创新功能使得山美 MP-PH 系列履带移动反击式破碎站成为令采石场和回收行业非常感兴趣的破碎站：

# Features and Benefits

## 主要特点和优点

- 1** The vibration feeder is fitted with a two-deck grizzly section for an optimum pre-scaling, thus maximizing the total performance and reducing wear.

装有两层格栅的振动给料机使预筛分较优, 因此使整体性能优良并且减少了磨损。
- 2** The material, which has already the required grain size, is conveyed via a bypass past the impact crusher directly to the discharge chute. Thus the efficiency of the complete plant is increased.

满足粒度要求的物料无需进入破碎机而经旁路溜槽直接落到反击破碎机下面的皮带上, 因此提高了系统的效率。
- 3** The MP-PH crushing plant is fitted with the field-tested impact crusher. The hydraulic controlled impact crusher guarantees a constant product quality and a high availability.

MP-PH 系列破碎站配备性能优异的反击式破碎机, 具备液压控制系统的反击式破碎机确保了恒定的产品质量和高可用性。
- 4** The active hydraulic permit a trouble free material flow via the movable inlet plate of the impact crusher.

液压系统通过控制反击式破碎机的可活动反击板, 可使不可破碎物顺利通过破碎机。
- 5** The diesel-direct drive in combination with a CATERPILLAR motor allows for a maximum performance at a small amount of space.

柴油机直接驱动结合卡特彼勒电机使性能在小空间的条件下更佳。
- 6** The processing plant is easy to operate with the remote control.

通过遥控装置可以方便的操作移动破碎站。
- 7** Magnetic separator, lateral discharge belt and water spray system are optionally available as approved modules.

作为模块设计, 除铁器、侧出料皮带和喷水系统是可选装的。
- 8** For the optimization of performance and availability the mobile processing plant is operated by an intelligent control in the background.

采用智能控制的移动式破碎站能够达到较优的性能。

SANME MP-PH Series Mobile Impactor Plant, the cost of which has been thoroughly optimized, convinces by its stability, wear cost which are considerably below average, long maintenance intervals and minimum set-up times.

山美 MP-PH 系列履带移动反击式破碎站的成本完全优化, 具有稳定性、低于平均水平的磨耗成本、较长的维修间隔和更少的安装时间。

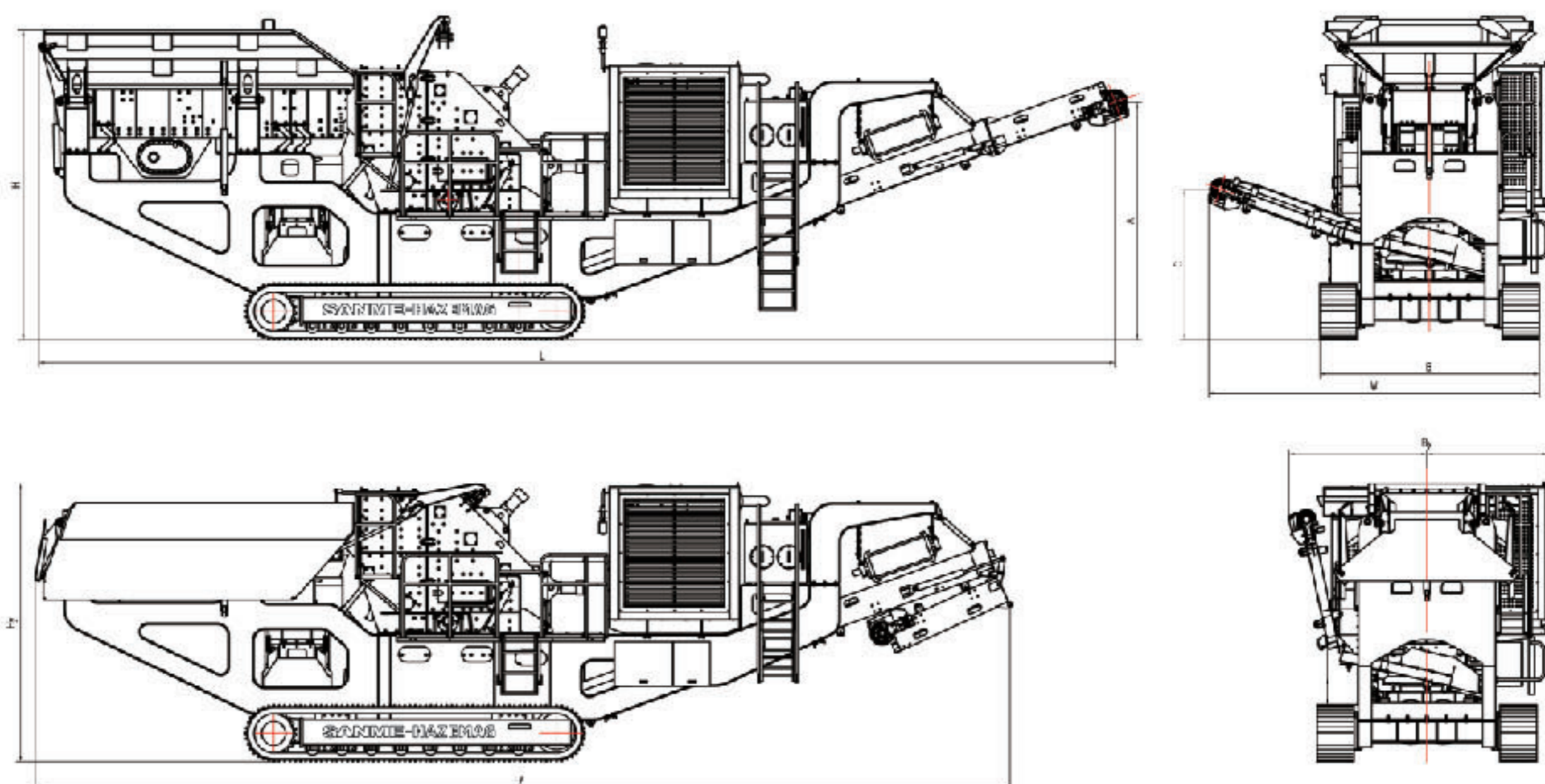




SANME MP-PH Series Mobile Impactor Plant is one of the most economical impact crushers of its class.  
山美 MP-PH 系列履带移动反击式破碎站为其同等级中经济性优良。

All in all the SANME MP-PH Series Impactor Plants convince by a flexible applicability, it processes limestone, reinforced concrete, bricks and asphalt with the directly driven impact crusher into high-quality final grain sizes. An excellent mobility, a high performance at a comparably low weight and an efficient drive permit a remarkable economic crushing.

总而言之，山美 MP-PH 系列履带移动反击式破碎站具有灵活的应用，通过直驱的反击式破碎机，它可将石灰石、钢筋混凝土、砖块和沥青混凝土加工成高品质的产品。移动性佳，性能优异，加工成本低。



# Technical Data

## 设备技术参数

MP-PH 系列履带移动反击式破碎站 MP-PH Series Mobile Impactor Plants	MP-PH 10	MP-PH 14
反击式破碎机型号 Impact Crusher Model	AP-PH-A 1010	AP-PH-A 1414
进料口尺寸 Feed opening size ( mm×mm )	810×1030	1025×1360
最大进料体积 Max feed size ( m <sup>3</sup> )	0.3	0.5
最大进料边长 Max edge length in one direction ( mm )	800	1000
处理量 Crushing capacity ( t/h )	最大 up to 250	最大 up to 420
驱动方式 Drive	直驱 diesel-direct	直驱 diesel-direct
<b>动力装置 Driving Unit</b>		
发动机 Engine	CAT C9	CAT C18
功率 Power ( kw )	242	470
<b>给料斗 Feed Hopper</b>		
料斗容积 Hopper volume ( m <sup>3</sup> )	4.8	8.5
<b>棒条给料机 Grizzly Feeder with Pre-screening ( Two-deck )</b>		
驱动方式 Drive	液压 hydraulic	液压 hydraulic
<b>主皮带机 Main Conveyor Belt</b>		
卸料高度 Discharge height ( mm )	3100	3500
驱动方式 Drive	液压 hydraulic	液压 hydraulic
<b>侧皮带机 ( 选装 ) Side Conveyor Belt ( Option )</b>		
卸料高度 Discharge height ( mm )	1900	3500
驱动方式 Drive	液压 hydraulic	液压 hydraulic
运输时皮带机头部可以折叠	For transportation the head-piece can be folded	
<b>履带行走装置 Crawler Unit</b>		
驱动方式 Drive	液压 hydraulic	液压 hydraulic
<b>永磁自卸式除铁器 Permanent Magnetic Separator</b>		
除铁器 Magnetic separator	可选 option	可选 option
<b>外形尺寸和重量 Dimensions and Weights</b>		
工作状态外形尺寸 Working dimensions		
- 长度 Length ( mm )	14600	18000
- 宽度 Width ( mm )	4500	6000
- 高度 Height ( mm )	4200	4800
运输状态外形尺寸 Transport dimensions		
- 长度 Length ( mm )	13300	17000
- 宽度 Width ( mm )	3350	3730
- 高度 Height ( mm )	3776	4000
重量约 Approx weight ( t )	43	70

注：上述生产能力是在破碎物料堆比重为 1.6t/m<sup>3</sup> 时开路循环生产中总吨数。生产能力与破碎物料的物理性能、给料方式、进料粒度及其组成等工况有关。  
Note: Capacity is the total production tons of open circuit when the material bulk density to be crushed is 1.6t/m<sup>3</sup>. Production capacity will be affected by physics character of material and feeding method, feeding size and material composition, and so on.



上海山美环保装备股份有限公司  
SHANGHAI SANME MINING MACHINERY CORP., LTD.  
(中德合资控股)  
(Sino-German JV Holding)



山美股份官方微信

版权所有 翻印必究 中国印制 Printed in China  
SANME-06-2C | MP-PH | 2020-09 | 5000

地址：上海市奉贤区青村镇奉村路 258 号  
邮编：201414  
电话：021-5759 1166 5759 1188  
传真：021-5756 6188 5820 0089  
网址：www.shsmzj.com  
电邮：info@sanmecorp.com

Add: No.258, Fengcun Road, Qingcun County, Fengxian District,  
Shanghai 201414, China  
Tel: +86-21-5712 1166 5759 1188  
Fax: +86-21-5756 6188 5820 0089  
Website: www.sanmecrusher.com  
E-mail: sales@sanmecorp.com

免费热线：400-921-5566  
售后专线：021-5712 7766

Free Hotline: 400-921-5566  
Service Center: +86-21-5712 7766

- ◎ 我们的产品在不断的更新和改进中，我们保留在未事先告知用户的情况下，更改参数及设计的权力。  
*Our products are constantly updated and improved, we reserve the right to change parameters and design without advance notification of customers.*
- ◎ 照片中产品外观颜色与实际机型存在差异，颜色标准以实物为准。  
*If there are any discrepancy and difference between color of product appearance and actual machine type in the picture, color standard is subject to actual object.*
- ◎ 本手册中的配置不一定是出厂标准配置，购买时请详细咨询我们。  
*Specifications and design in the brochures are not always the standard. Please consult us particularly when purchasing.*